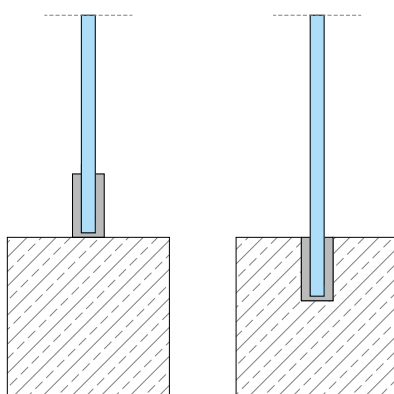
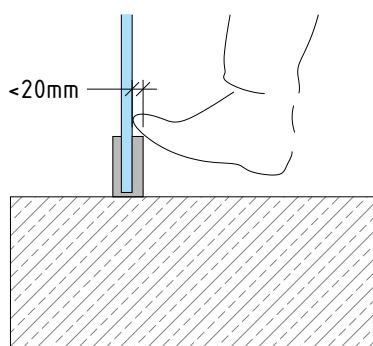
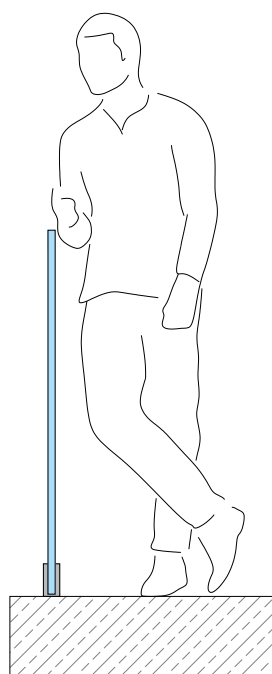
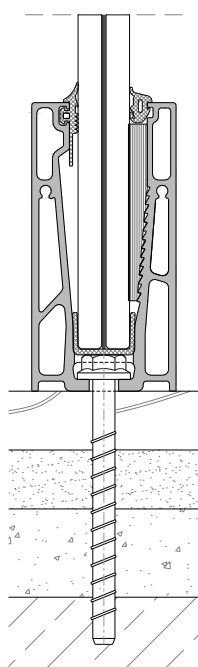


EB49 Glass balustrade system



A light frameless glass balustrade system, with aluminium base of 49mm width and without additional vertical support. Two different thicknesses of glass infill can be used. It can be installed on or into the floor level. Ideal for residential areas and areas not susceptible to overcrowding. Suitable for both internal and external areas.



Technical features

- Two glazing infill options (13.5 mm and 17.5 mm)
- Pre-drilled profiles option
- Simple installation
- Easy maintenance

Hardware accessories

- Screws with hexagon head
- EPDM gaskets
- Two plastic wedges options

Surface treatment options

- RAL colours
- ETEM colours
- Anodising
- Wood effects
- Quality Standards:
 - QUALICOAT
 - QUALIDECO
 - QUALANOD

Production certificates

- EN ISO 9001
- OHSAS 18001

Typologies

- Installing with channel mounted on floor
- Installing with floor integrated channel

