

TECHNICAL BULLETIN

N 83 - 2019. 02

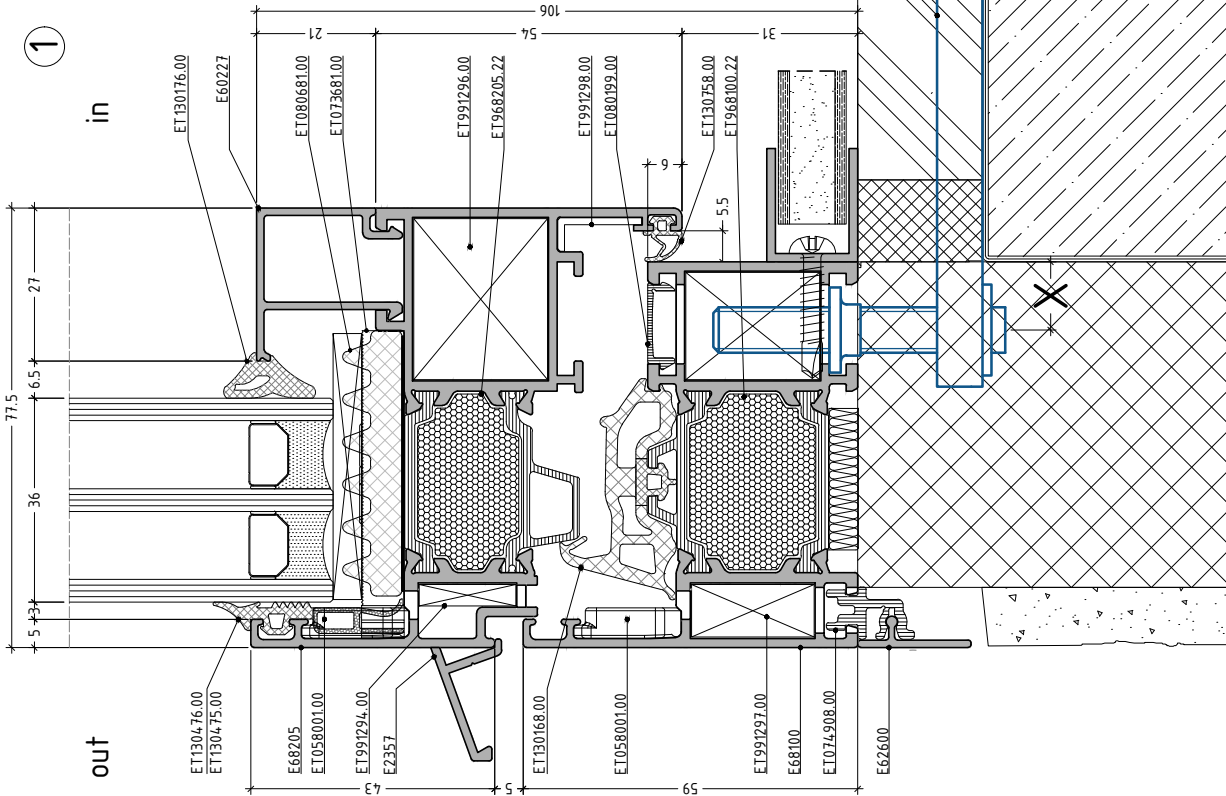
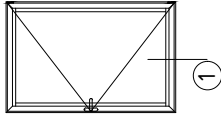
Window fixing anchor for mounting E68 & E75 systems

content:

- DETAILS
- POSITION

- MACHINING
- ACCESSORIES

ETEM



U-profile tested for load transference:

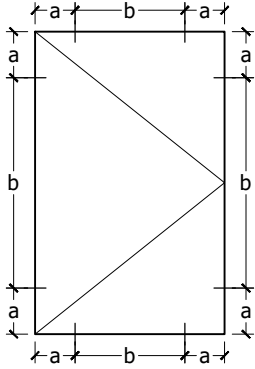
material thickness	Maximum load / bearing out	
	1.5mm	X≤30 mm
	69 kg	48 kg
		44 kg

ET_055075_00

Interface shown on the drawing is an example ONLY!
 Connection between backing wall and frame is specific for each single project. It is obligatory to observe different projects' features. All final decisions about materials used, interface finishing, etc. should be approved by the structural / facade engineer responsible for the specific project.

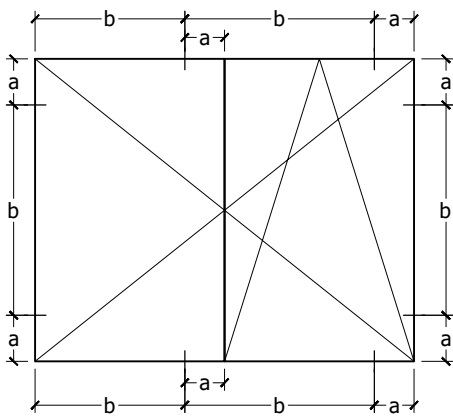
scale : 3/4

Position of anchor

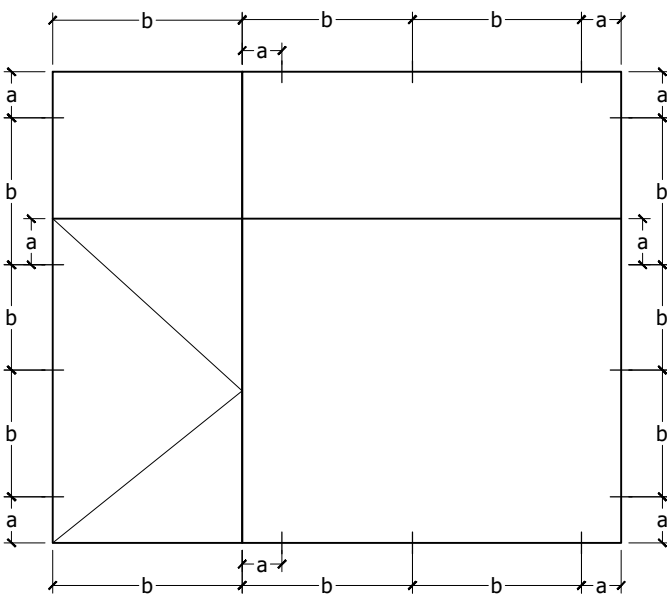


U-profile tested for load transference:

material thickness	Maximum load / bearing out		
	X ≤ 30 mm	X ≤ 50 mm	X ≤ 70 mm
1.5mm	69 kg	48 kg	44 kg



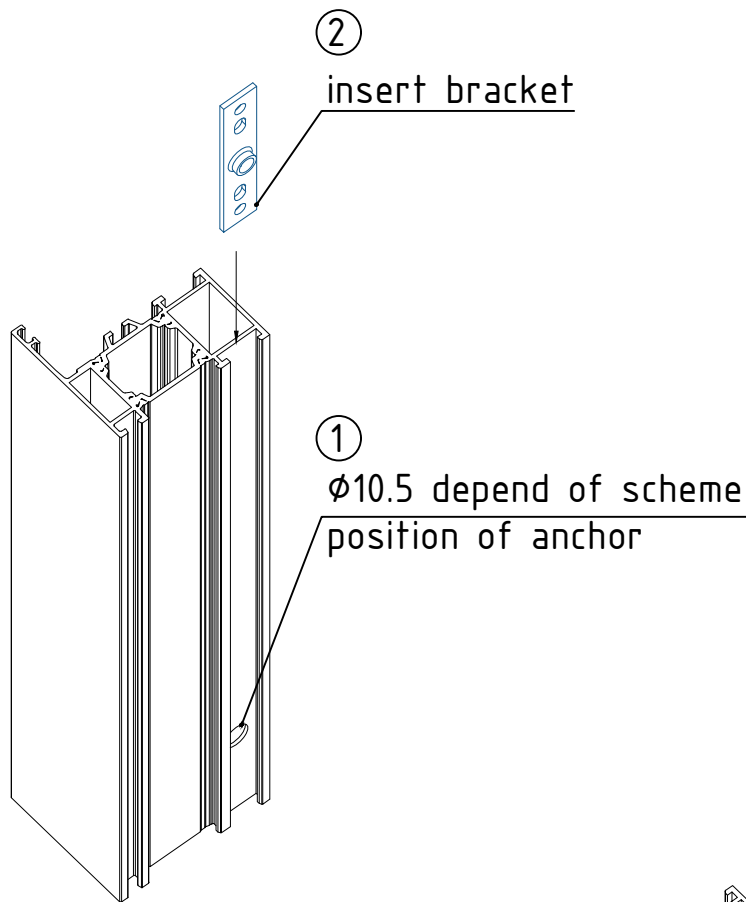
a = 150 ÷ 200 mm
b ≤ 800 mm



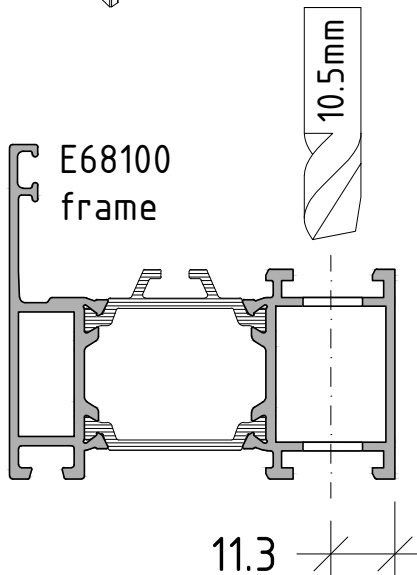
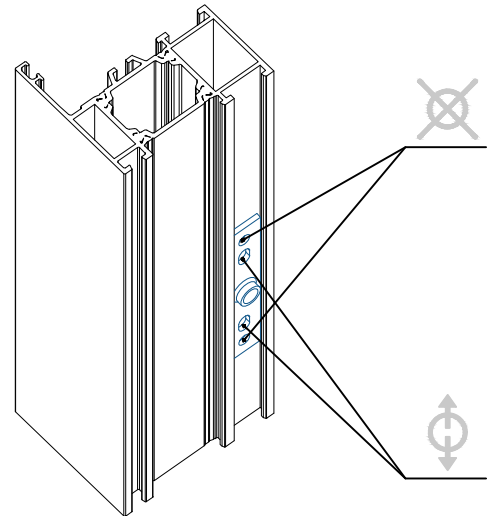
scale : 3/4

⊗ Fixed support

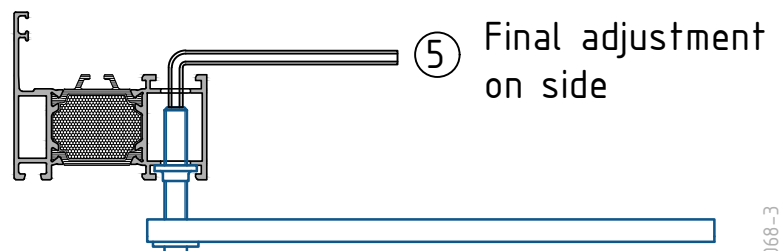
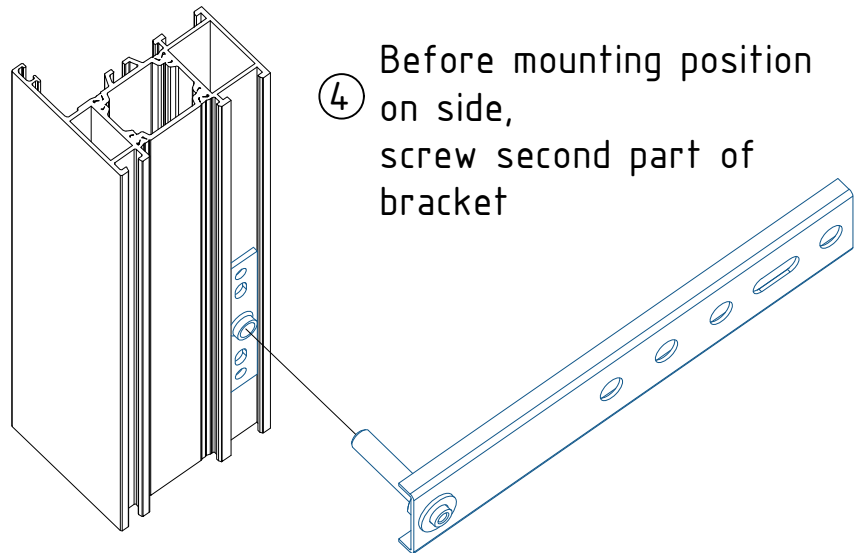
↕ Flexible support



③ screw the bracket, after positioning on mounting hole $\phi 10.5$ mm



④ Before mounting position on side, screw second part of bracket



U-profile tested for load transference:

material thickness	Maximum load / bearing out		
	X \leq 30 mm	X \leq 50 mm	X \leq 70 mm
1.5mm	69 kg	48 kg	44 kg

opening system with thermal break

example with E68

code/description	package/pcs	colour
ET 055075.00	-	MF

Mounting anchor for windows

