

TECHNICAL BULLETIN

N 96 - 2022. 06

ES70

1. ET.130771.00

Alternative EPDM seal gasket, for sash frame

2. ET.074747.00

Plastic plugs (stabilizer), for sash frame

content:

■ ACCESSORIES



■ DETAILS

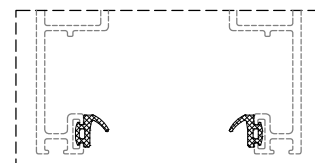


sliding system with thermal break

ES70

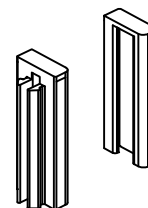
code/description	package/pcs	colour
ET 130771.00		●

EPDM seal gasket for sash frame



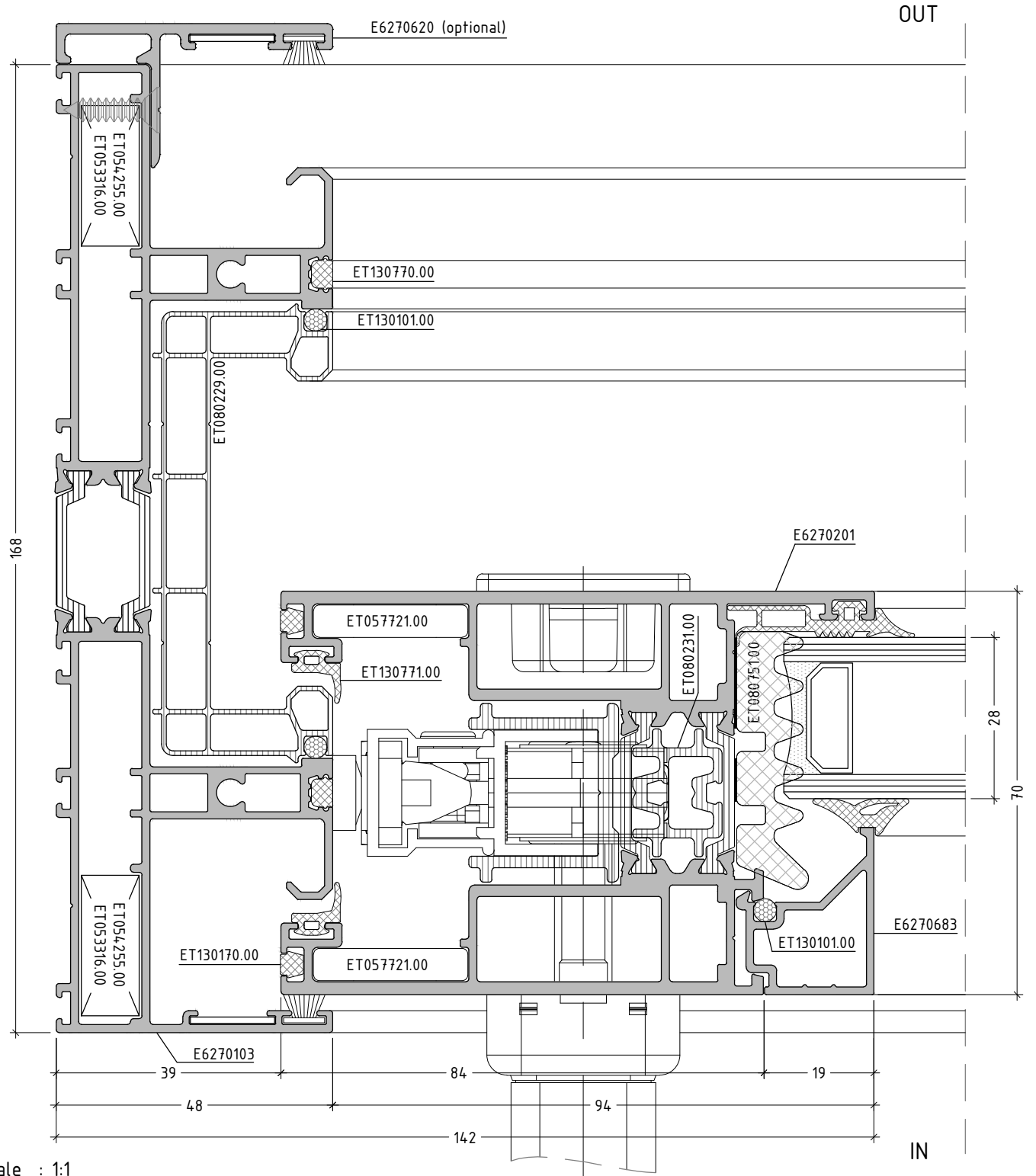
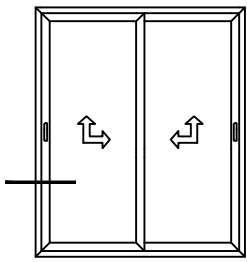
ET 074747.00		●
--------------	--	---

Pair of plastic plugs (stabilizer) for ES70 & E50 sash frame

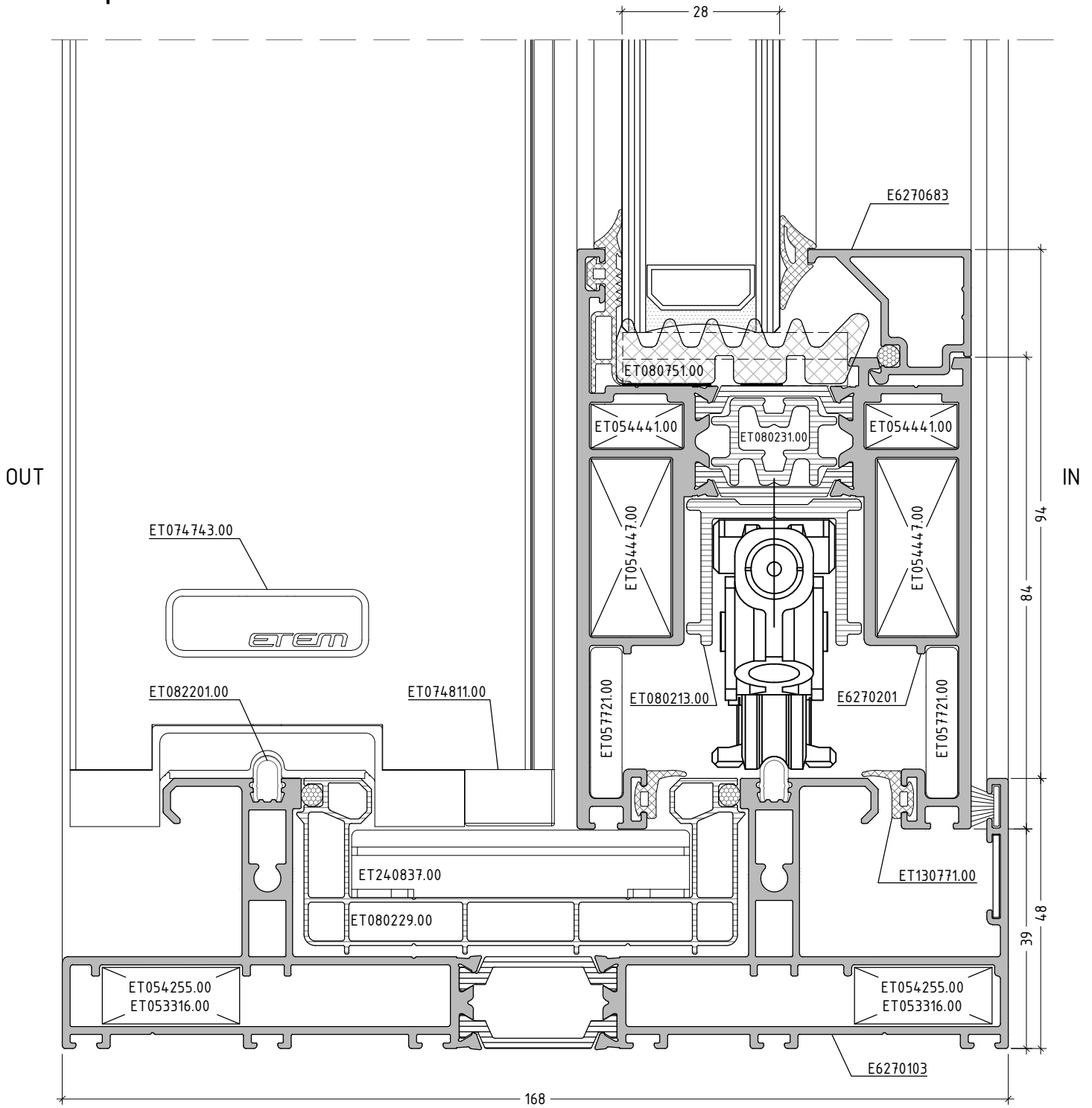
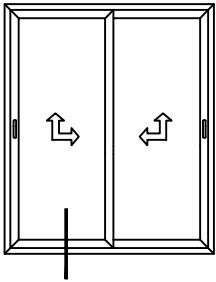


--	--	--

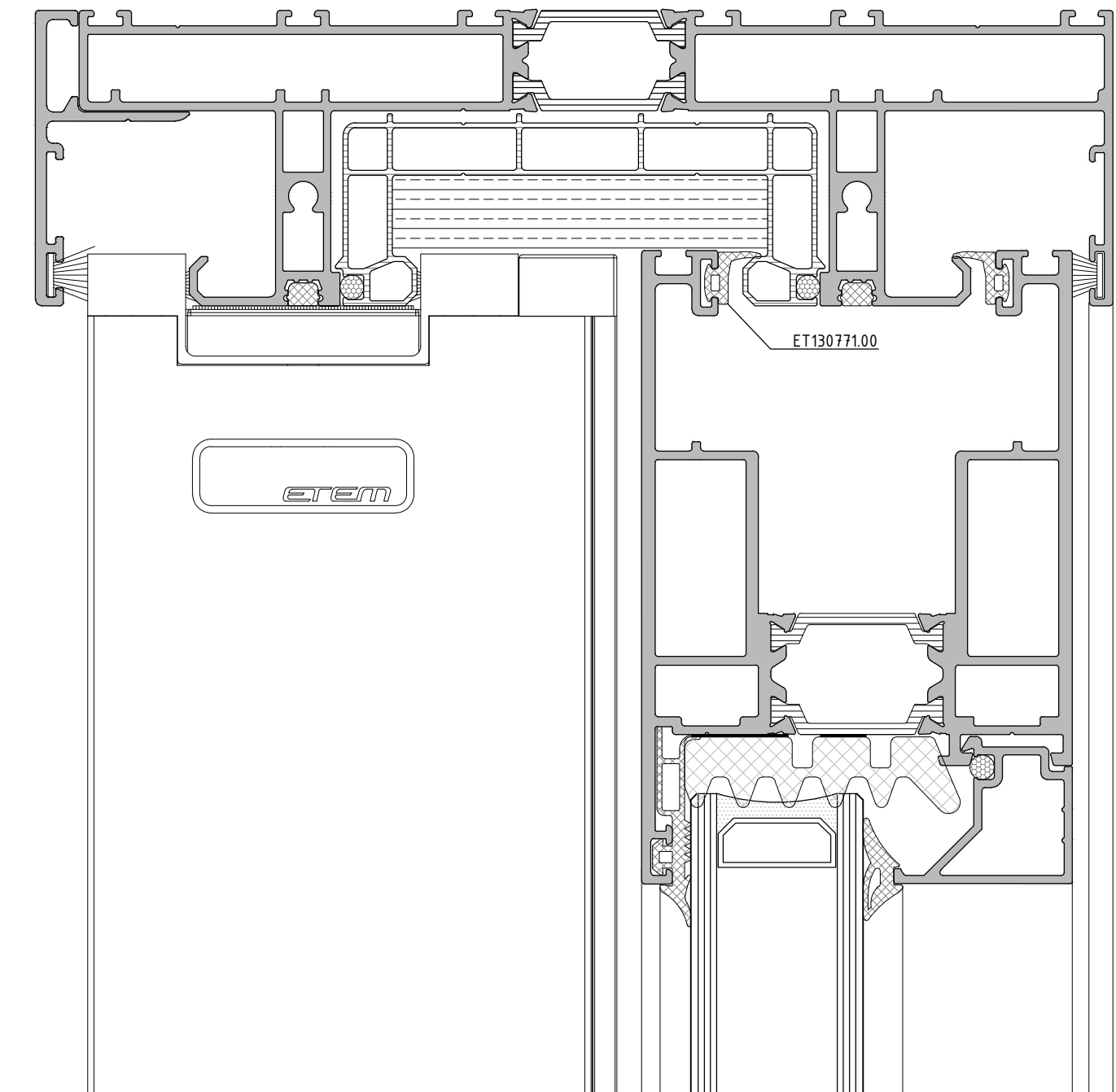
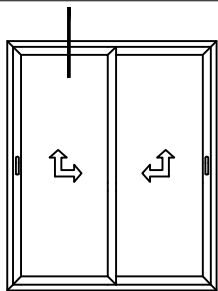
--	--	--



scale : 1:1

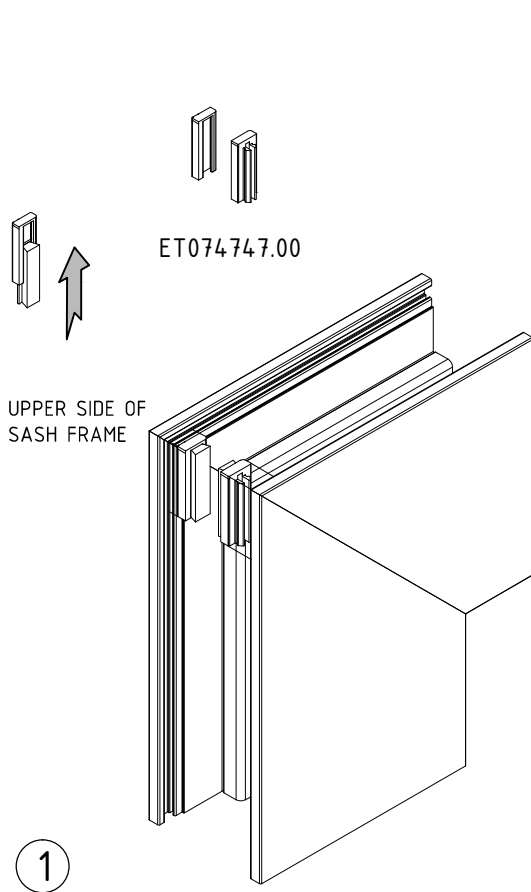


scale : 1:1

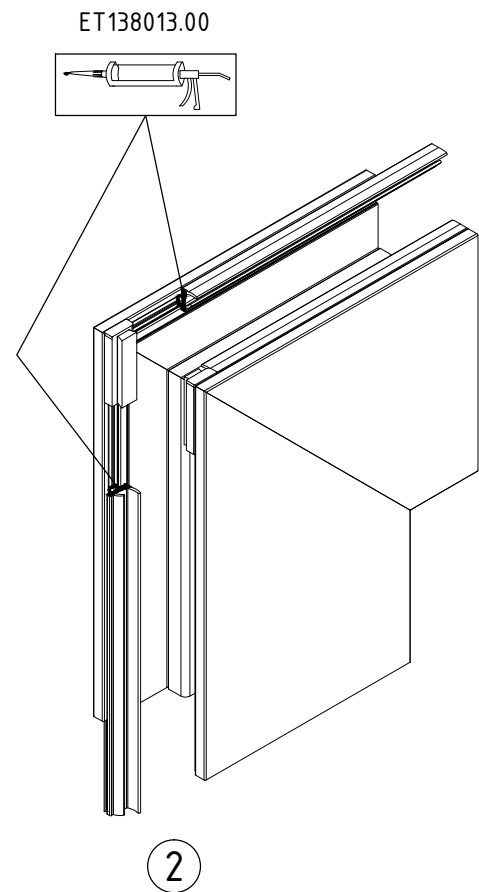


scale : 1:1

APPLICATION OF ET074747.00 ONTO THE SASH FRAME



PLUGS ET074747.00, ARE FIXED AT THE UPPER INTERNAL AND EXTERNAL SIDE OF THE SASH FRAME.
ALWAYS PLACE THE PILE WEATHERSEAL IN TO THE GROOVE, BEFORE FIXING IT ONTO THE SASH FRAME, AS PRESENTED IN THE DRAWINGS



ALWAYS APPLY SEALANT ET138013.00, AT THE SIDE OF GASKET ET130771, THAT WILL COME INTO CONTACT WITH ET074747.00, AS PRESENTED IN THE DRAWING