

TECHNICAL BULLETIN

N 90 - 2021. 01

E50 & ES70 FLAT RAILS

Solution for flat rails with fly screen

content:

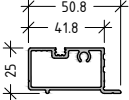
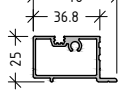
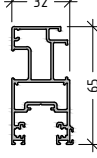
- PROFILES
- PROFILES 1:1

- DETAILS
- ACCESSORIES

ETEM

sliding window system with thermal break

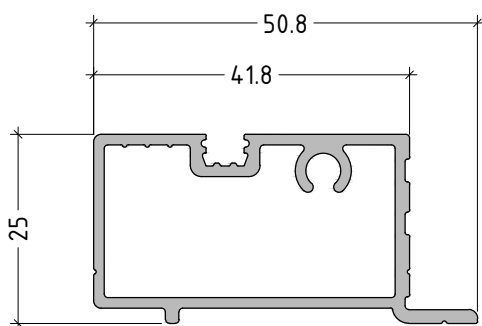
E50 & ES70 flat

code	Profile	Weight Length Moment of inertia	code	Profile	Weight Length Moment of inertia
E50172 Additional flat rail for fly screen E50		645 g/m L=6.01 m			
E6270132 Additional flat rail for fly screen ES70		616 g/m L=6.01 m			
E6270220 Screen sash for flat rails E50 & ES70		1112 g/m L=6.01 m			

E50172

Additional flat rail for fly screen E50

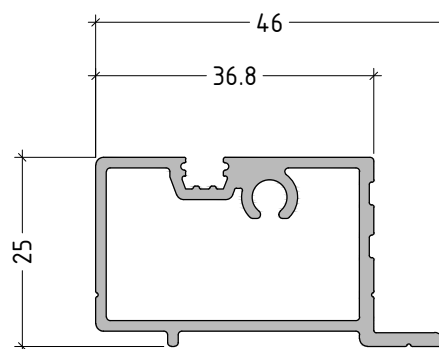
645 g/m



E6270132

Additional flat rail for fly screen ES70

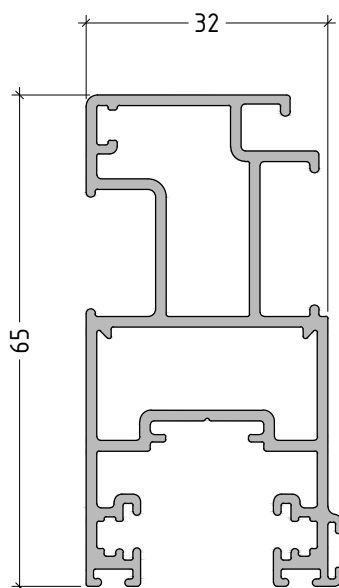
616 g/m



E6270220

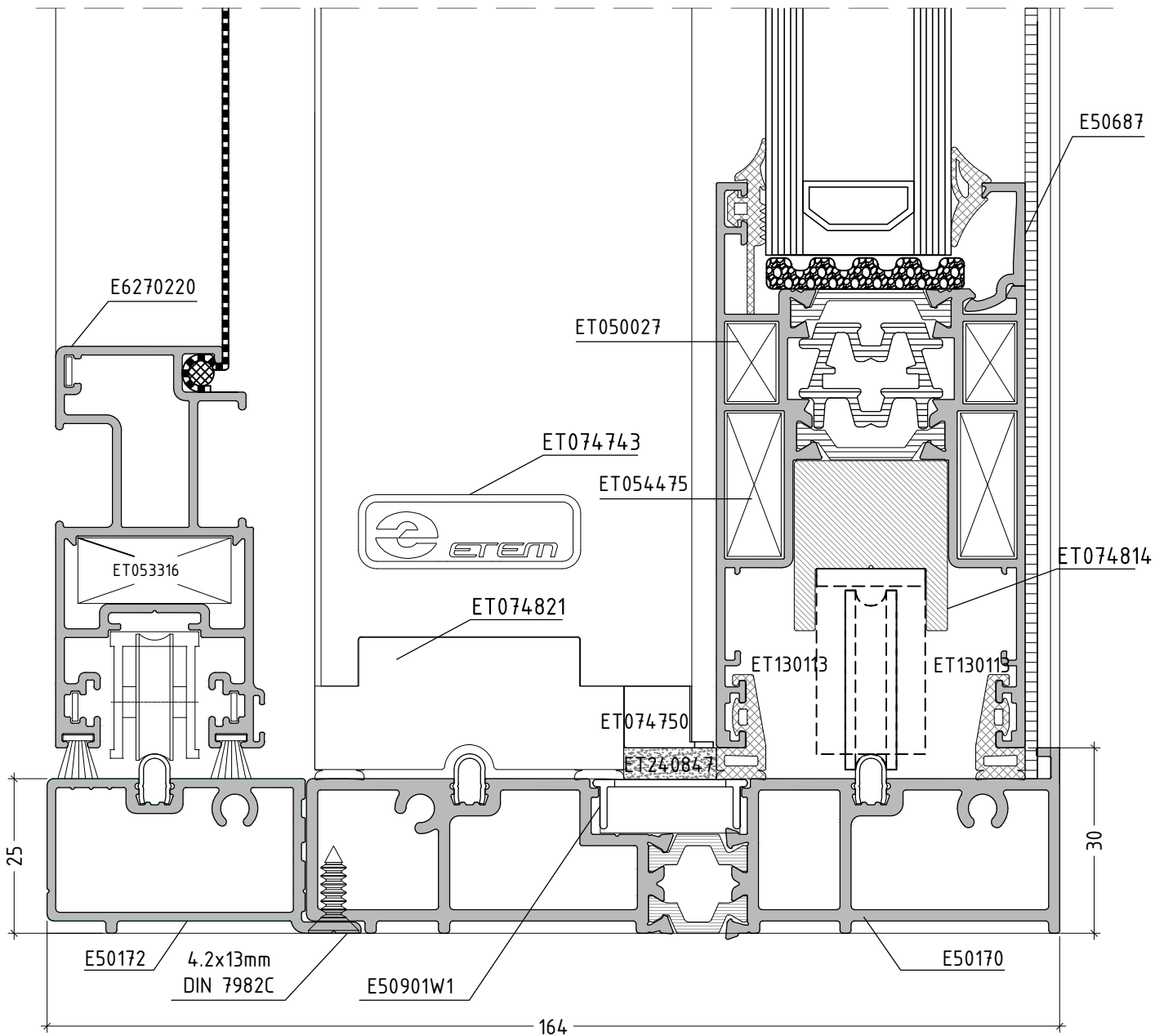
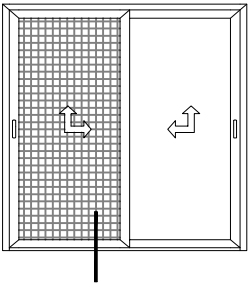
Screen sash for flat rails E50 & ES70

1112 g/m



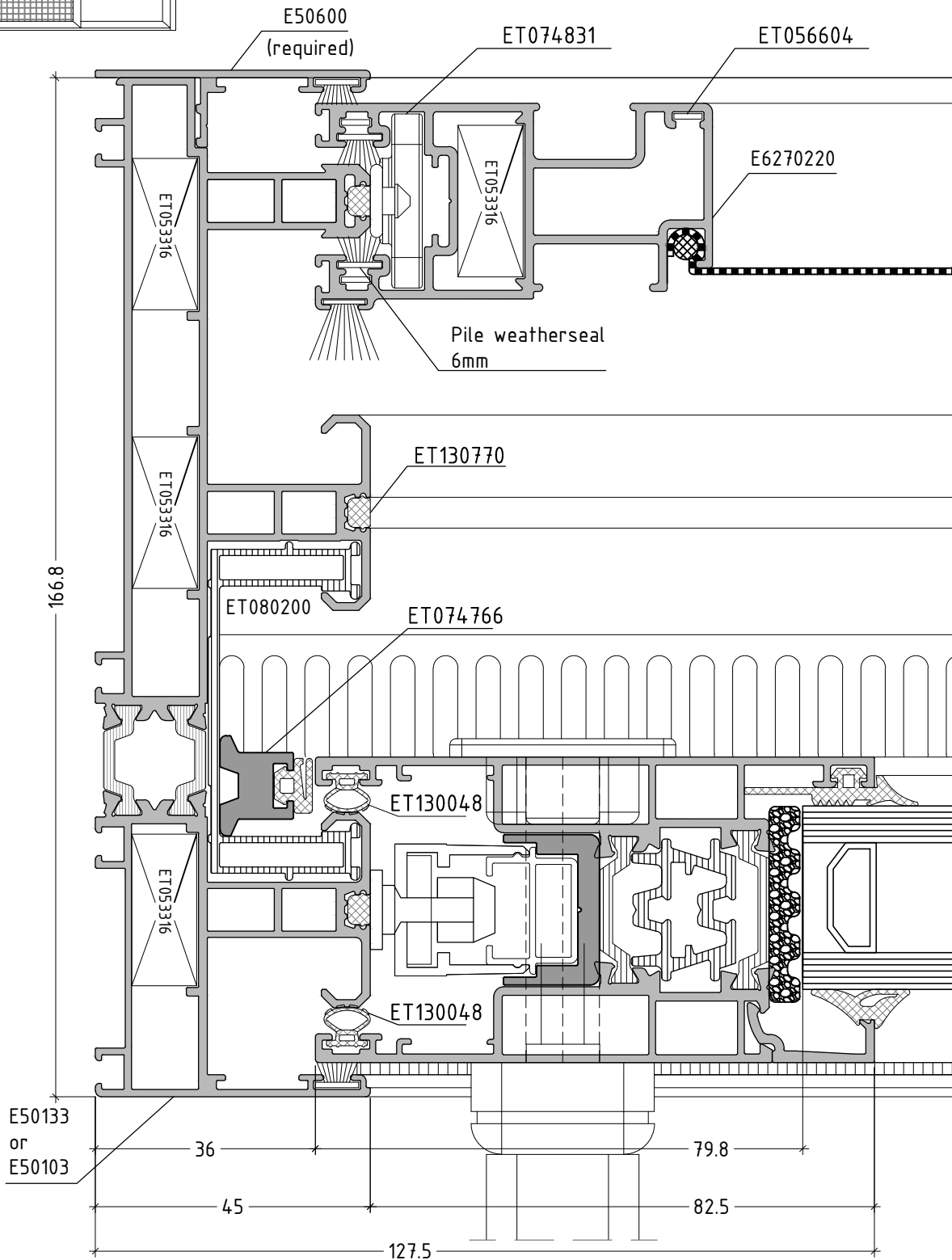
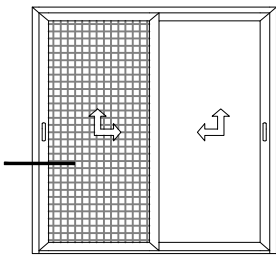
scale : 1:1

E50

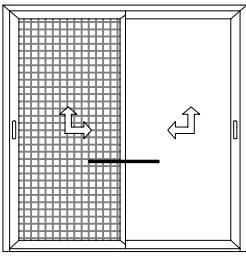


scale : 1:1

03

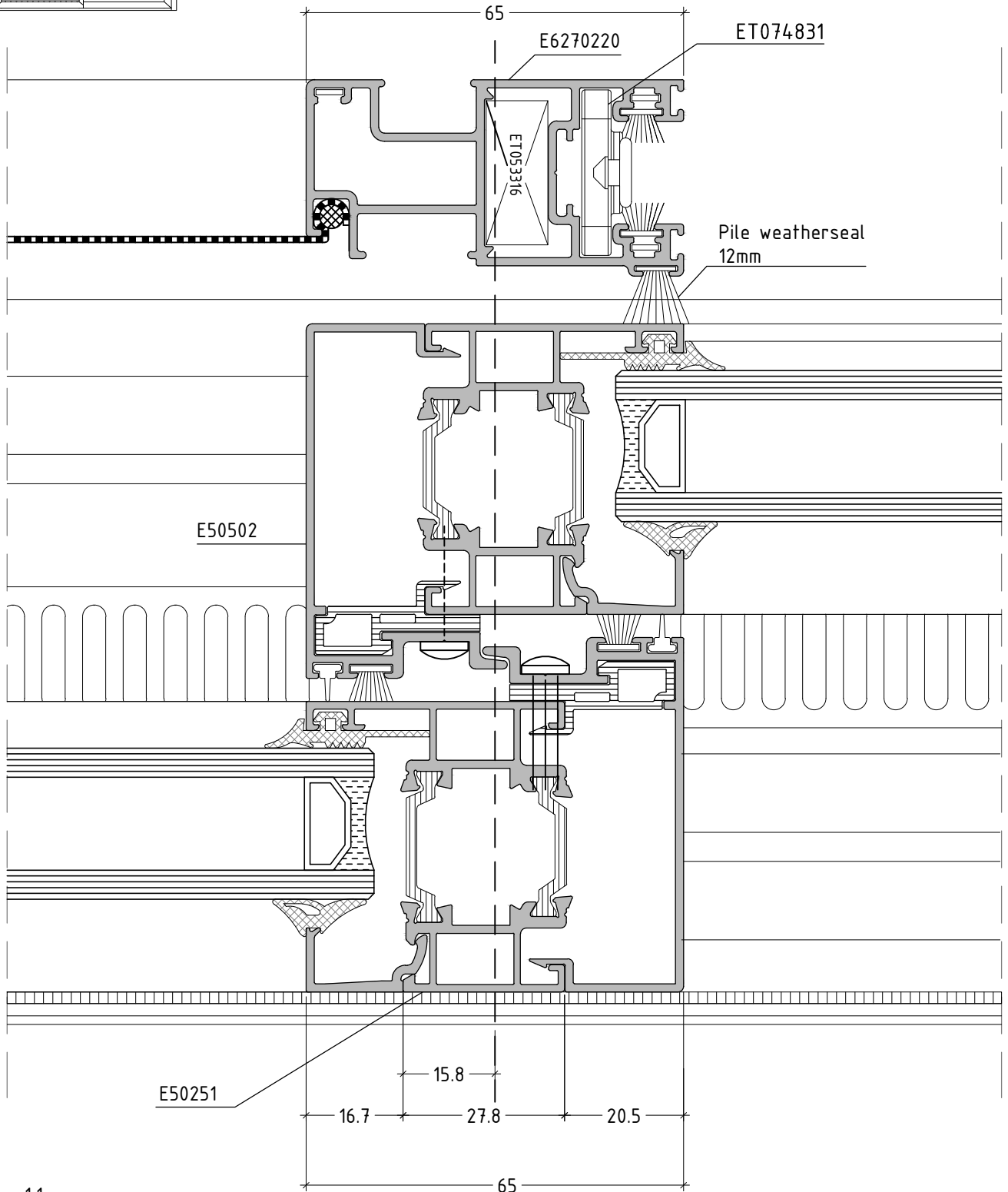


scale : 1:1



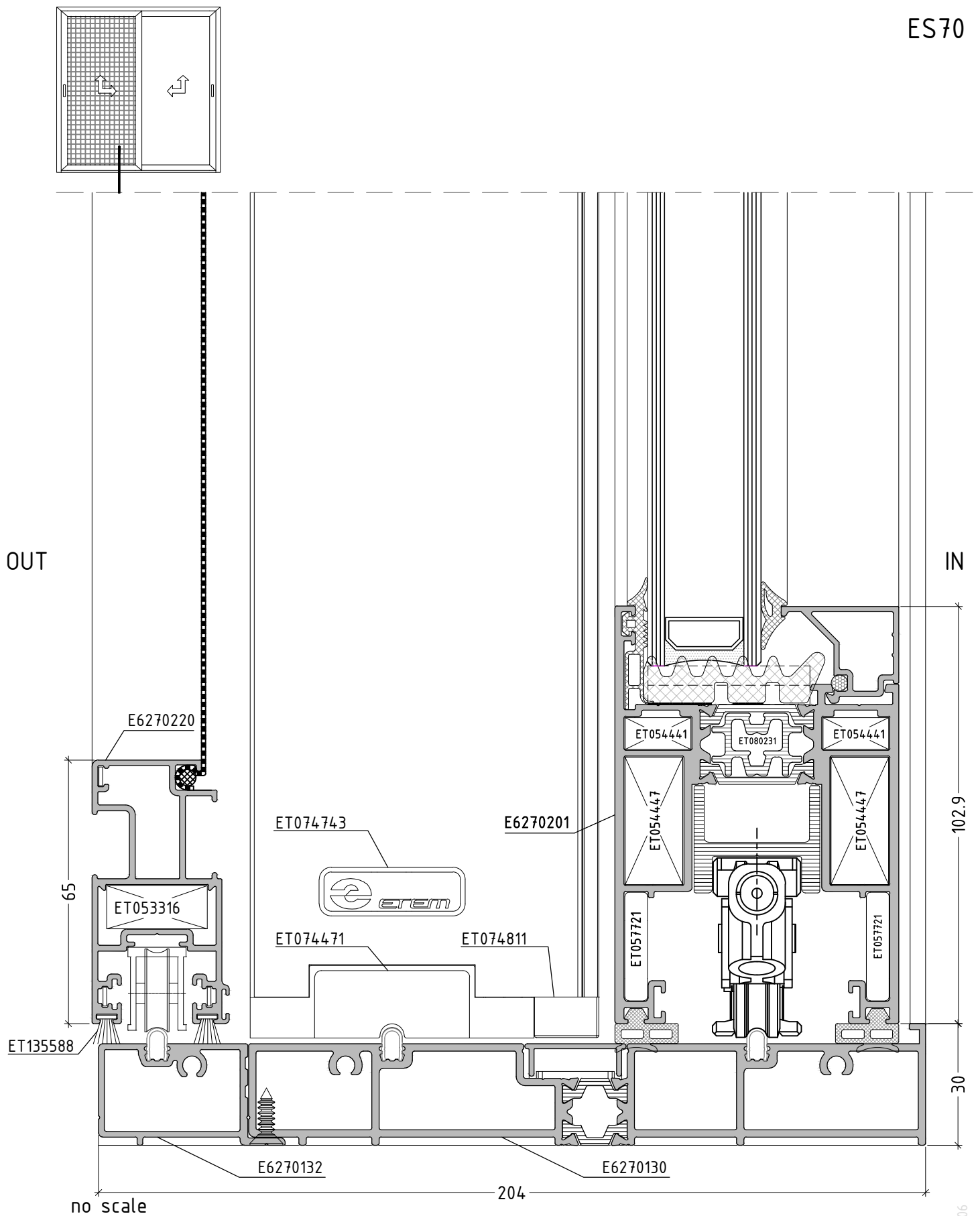
(SLIM INTERLOCK)

E50

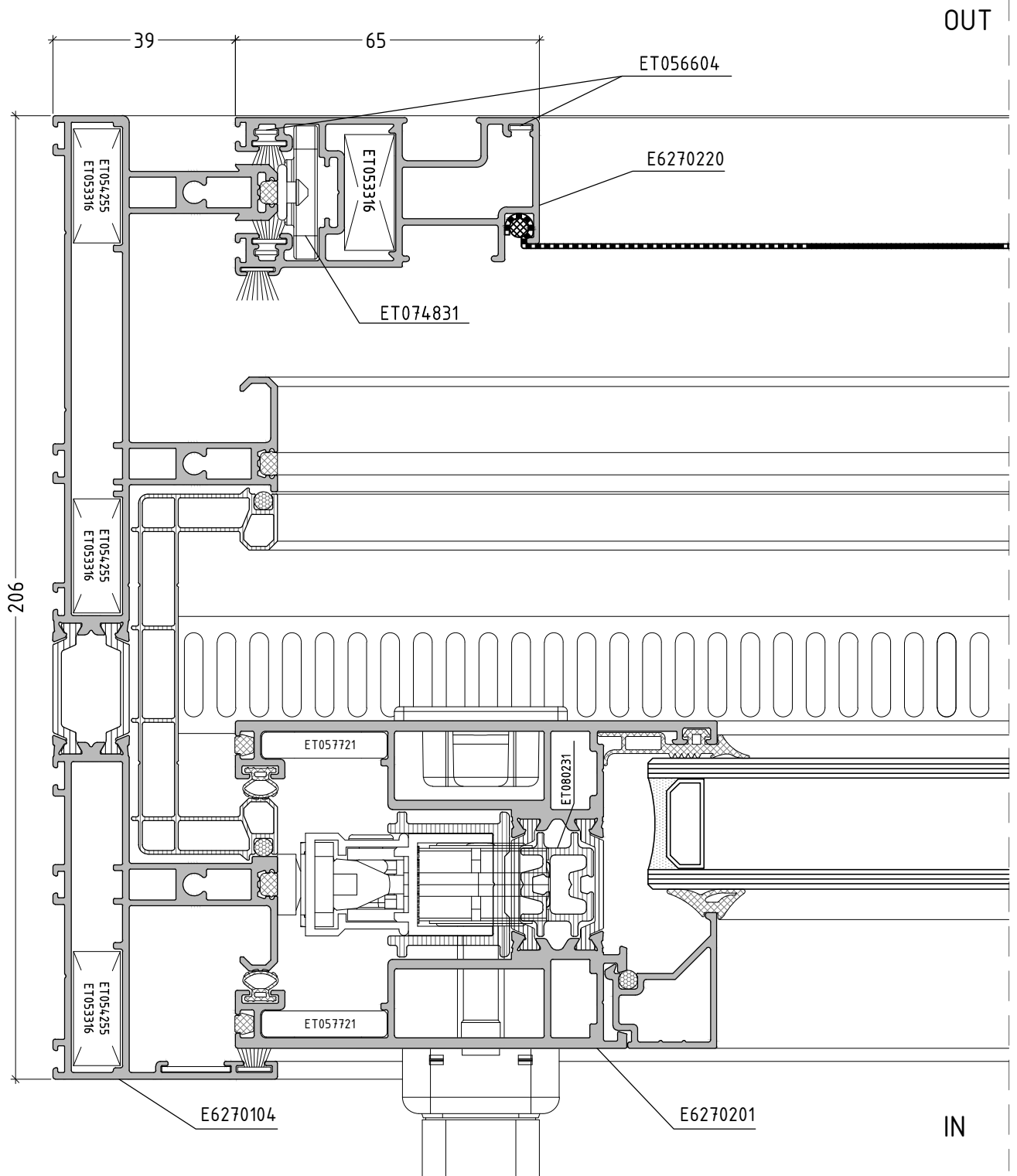
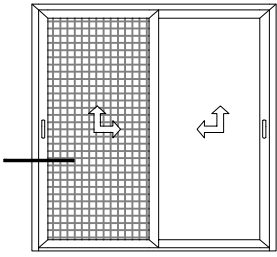


scale : 1:1

05



ES70



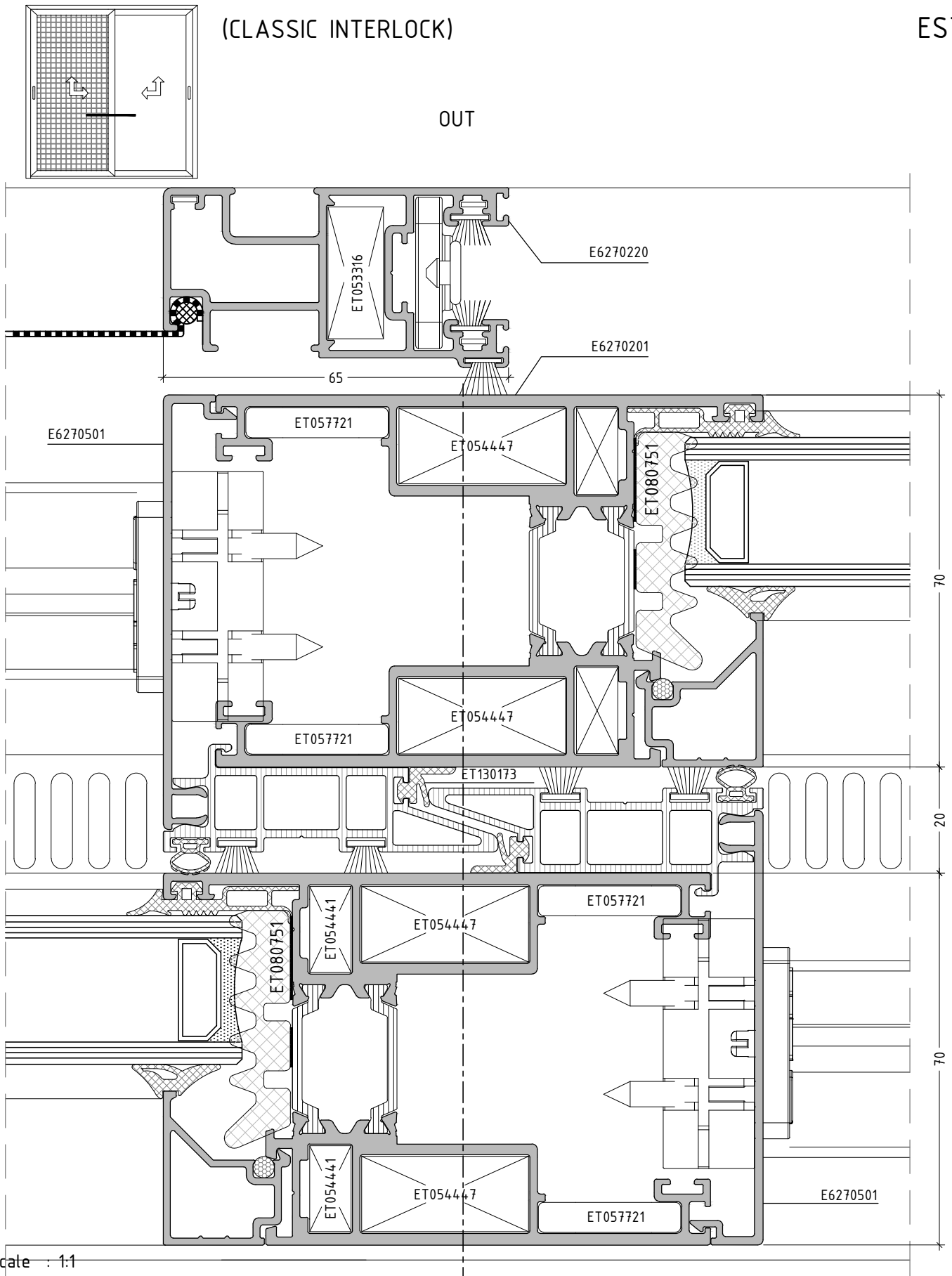
no scale

07

(CLASSIC INTERLOCK)

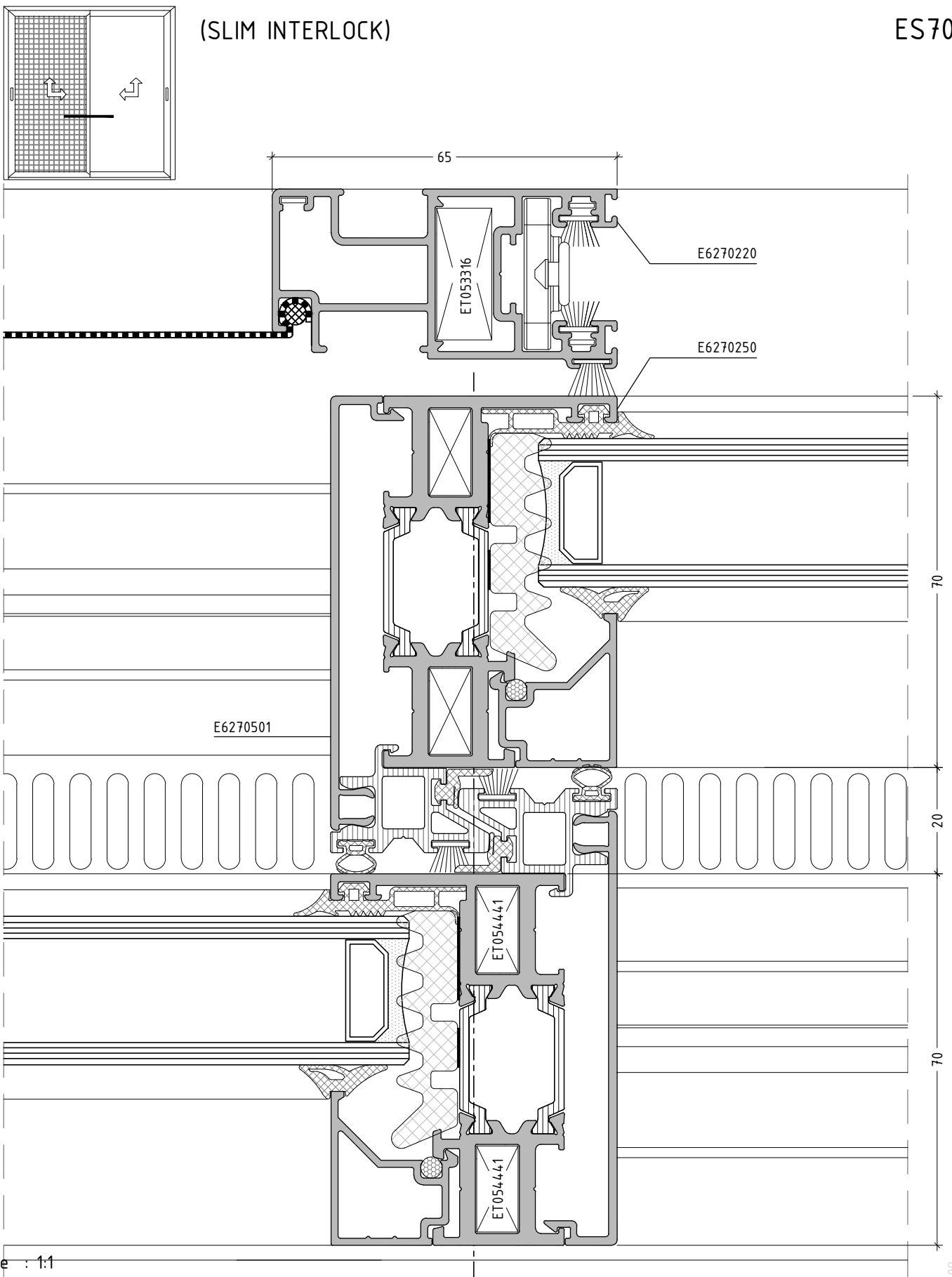
ES70

OUT



(SLIM INTERLOCK)

ES70

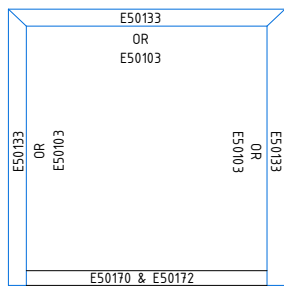
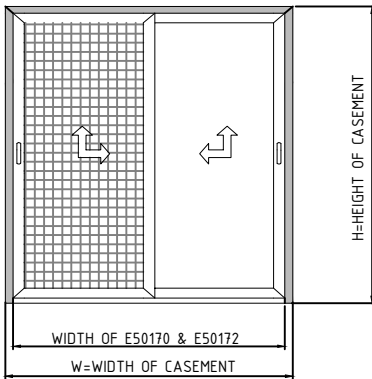


scale : 1:1

09

DOUBLE LEAF WITH LIFT-SLIDE MECHANISM WITH FLAT FRAME - CLASSIC INTERLOCK

E50

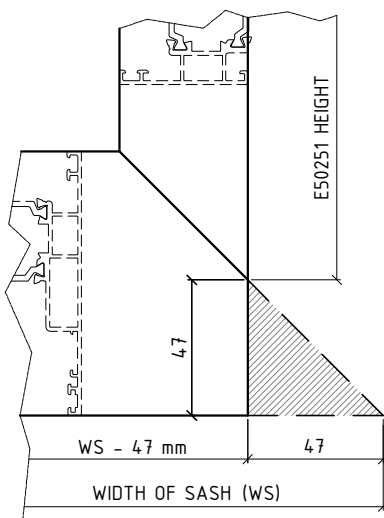


CUTTING LENGTHS	
WIDTH OF RAIL E50133	= W
HEIGHT OF RAIL E50133	= H
WIDTH OF RAILS E50170 & E50172	= W - 40*
WIDTH OF SASH E50203	= $\frac{W - 2}{2}$
HEIGHT OF SASH E50203	= H - 66
HEIGHT OF SUPL. E50501	= H - 86
WIDTH OF SCREEN SASH E6270220	= $\frac{W - 54}{2}$
HEIGHT OF SCREEN SASH E6270220	= H - 66

DIMENSION IN MILLIMETERS
ALL MEASUREMENTS ARE TAKEN FROM THE EXTERNAL SIDE OF THE FRAME

*NOTE: CUTTING LENGTH INCLUDE FLANGE THICKNESS (ET076700)

DOUBLE LEAF WITH LIFT-SLIDE MECHANISM WITH FLAT FRAME - SLIM INTERLOCK



CUTTING LENGTHS	
WIDTH OF RAIL E50133	= W
HEIGHT OF RAIL E50133	= H
WIDTH OF RAILS E 50170 & E 50172	= W - 40*
WIDTH OF SASH E50203 (WS)	= $\frac{W + 46}{2}$
FINAL WIDTH OF SASH E50203	= WS - 47
HEIGHT OF SASH E50203	= H - 66
HEIGHT OF E50251	= H - 160
HEIGHT OF SUPL. E50502	= H - 86
WIDTH OF SCREEN SASH E6270220	= $\frac{W - 7}{2}$
HEIGHT OF SCREEN SASH E6270220	= H - 66

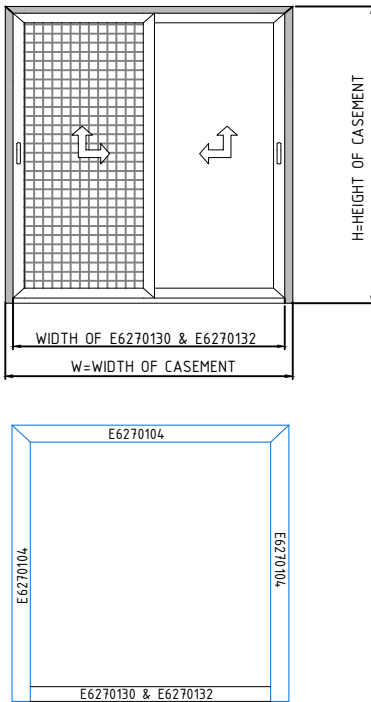
DIMENSION IN MILLIMETERS
ALL MEASUREMENTS ARE TAKEN FROM THE EXTERNAL SIDE OF THE FRAME

*NOTE: CUTTING LENGTH INCLUDE FLANGE THICKNESS (ET076700)

CutList E50

DOUBLE LEAF WITH LIFT-SLIDE MECHANISM WITH FLAT FRAME - CLASSIC INTERLOCK

ES70

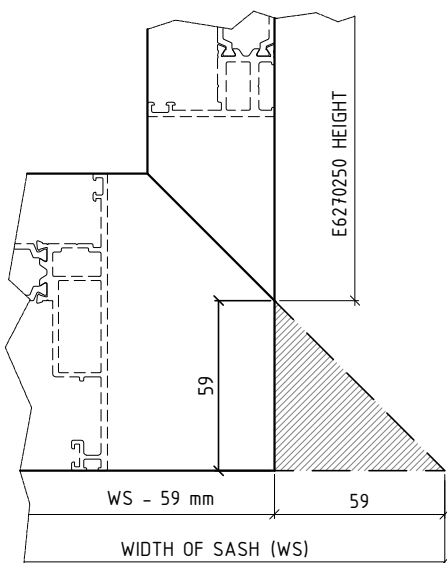


CUTTING LENGTHS	
WIDTH OF RAIL E6270104	= W
HEIGHT OF RAIL E6270104	= H
WIDTH OF RAILS E6270130 & E6270132	= $W - 36^*$
WIDTH OF SASH E6270201	= $\frac{W + 15}{2}$
HEIGHT OF SASH E6270201	= $H - 69$
HEIGHT OF SUPL. E6270501	= $H - 89$
WIDTH OF SCREEN SASH E6270220	= $\frac{W - 61}{2}$
HEIGHT OF SCREEN SASH E6270220	= $H - 69$

DIMENSION IN MILLIMETERS
ALL MEASUREMENTS ARE TAKEN FROM THE EXTERNAL SIDE OF THE FRAME

*NOTE: CUTTING LENGTH INCLUDE FLANGE THICKNESS (ET076701)

DOUBLE LEAF WITH LIFT-SLIDE MECHANISM WITH FLAT FRAME - SLIM INTERLOCK

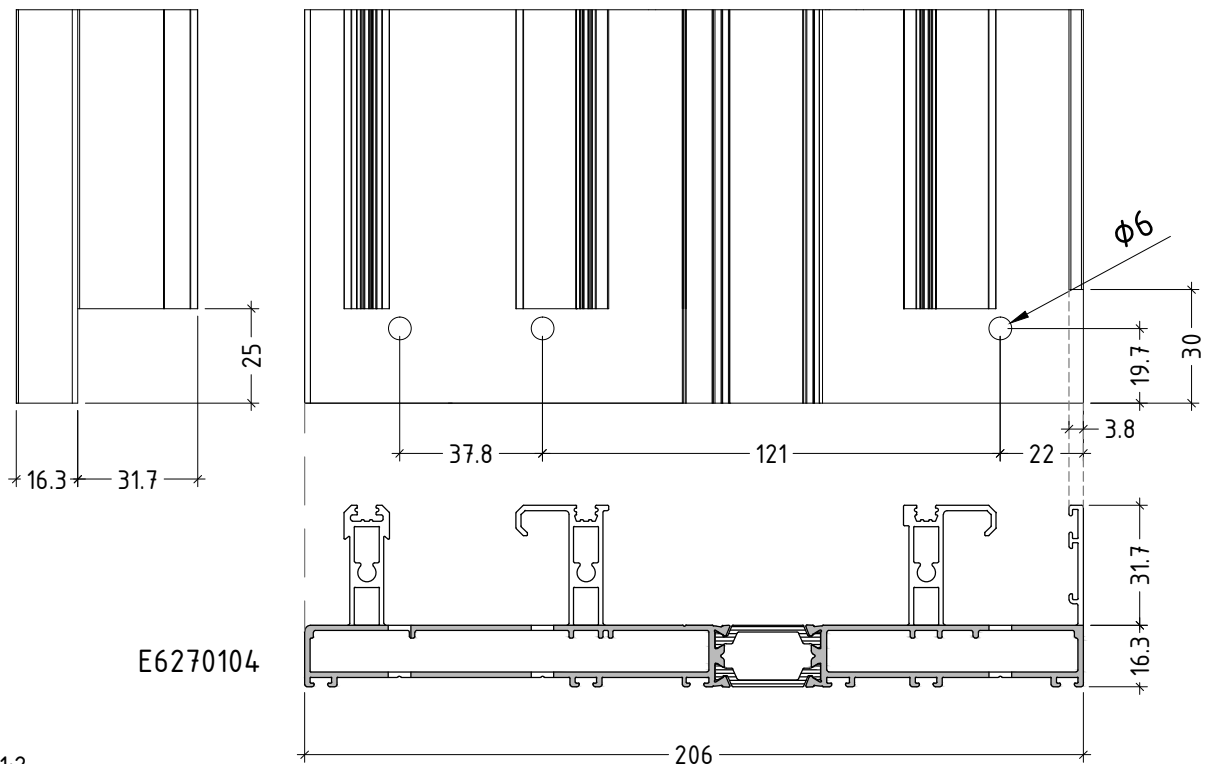
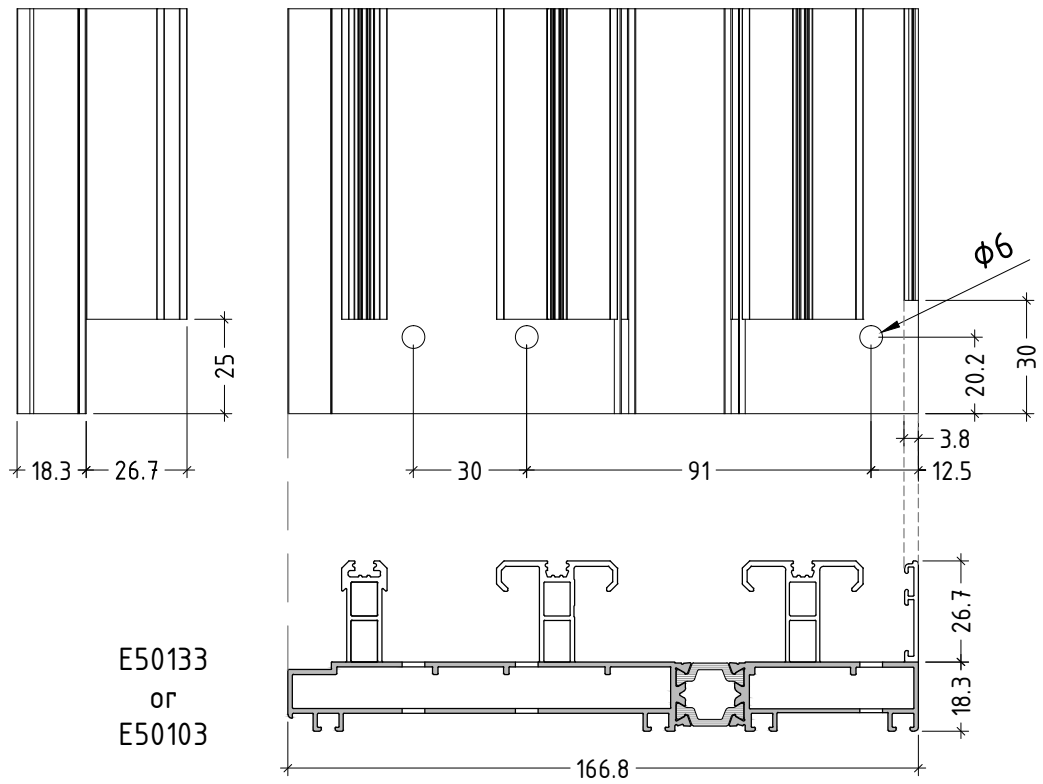


CUTTING LENGTHS	
WIDTH OF RAIL E6270104	= W
HEIGHT OF RAIL E6270104	= H
WIDTH OF RAILS E6270130 & E6270132	= $W - 36^*$
WIDTH OF SASH E6270201 (WS)	= $\frac{W + 74}{2}$
FINAL WIDTH OF SASH E6270201	= $WS - 59$
HEIGHT OF SASH E6270201	= $H - 69$
HEIGHT OF E6270250	= $H - 187$
HEIGHT OF SUPL. E6270501	= $H - 89$
WIDTH OF SCREEN SASH E6270220	= $\frac{W - 24}{2}$
HEIGHT OF SCREEN SASH E6270220	= $H - 69$

DIMENSION IN MILLIMETERS
ALL MEASUREMENTS ARE TAKEN FROM THE EXTERNAL SIDE OF THE FRAME

*NOTE: CUTTING LENGTH INCLUDE FLANGE THICKNESS (ET076701)

MACHINING REQUIRED FOR 90° CONNECTION OF RAILS E50 & ES70



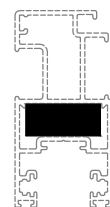
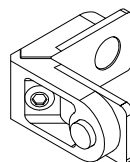
scale : 1:2

sliding window system with thermal break

E50 & ES70 flat

code/description	package/pcs	colour
ET 053316.00		

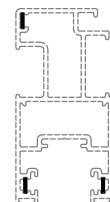
Die cast aluminium corner



E6270220

ET 056604.00		inox
--------------	--	------

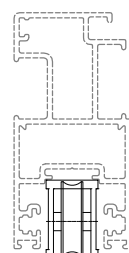
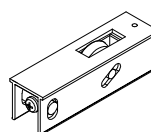
Alignment square (5x1.25)



E6270220

ET 240428.00		
--------------	--	--

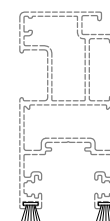
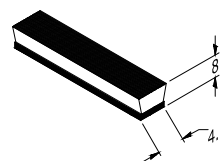
Adjustable roller for fly screen sash



E6270220

ET 135588.02		●
--------------	--	---

Pile weatherseal with base
4.8 mm, 4P 8 mm
for screen sashes
E6270220

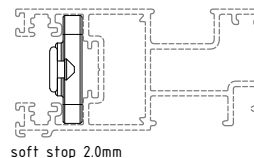
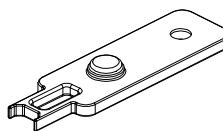


sliding window system with thermal break

E50 & ES70 flat

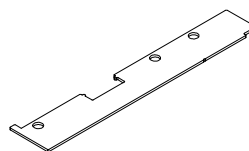
code/description	package/pcs	colour
ET 074831.00		

Stopper for low rails fly screens



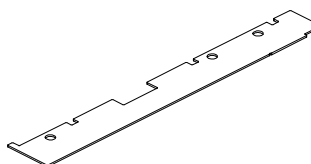
ET 076700.00		
--------------	--	--

EPDM side flange for double flat rail with fly screen - E50



ET 076701.00		
--------------	--	--

EPDM side flange for double flat rail with fly screen - ES70



E6270130 & E6270132

--	--	--